

ELEVATE EFFICIENCY. ACCELERATE GROWTH.

ColorStream 8000 series



Canon

ColorStream 8000 series

ELEVATE EFFICIENCY. ACCELERATE GROWTH.



Elevate efficiency with the ColorStream 8000 series. Meet tight service level agreements and reduce market price pressures with uninterrupted productivity and increased output volumes. Strengthen your position in the market by delivering superior print quality output, with native 1,200 dpi printheads at print speeds of up to 160 m/min. That's an output of 2,152 A4/min.



Productivity up to 160 m/min with uptime above 90 %



Native 1,200 dpi printhead resolution



Efficiency in ultra-short runs



Application versatility



Focused on sustainability in manufacturing and press operation



Proactive maintenance



Explore productivity

More jobs. Shorter runs. Tighter deadlines. Application versatility.

Whether you're a print and communication service provider, a corporate enterprise or data centre, a dedicated publication printer, or an all-round commercial printer, to stay ahead you need a press that enables you to set up jobs, switch media and personalise documents easily. You also want to be able to run your printer with minimal operator intervention. These are just some of the aspects in which the ColorStream 8000 series excels.

Explore stunning quality

Create breathtaking applications

The new native 1,200 dpi printheads deliver stunning, consistent print quality from the first page to the last. In addition, the powerful SRA controller RIPs print data with fully variable content at rated speed. With control over every nozzle in the printheads, the controller is able provide a more consistent droplet size and placement, forming the basis for striking print quality.

- Native 1,200 dpi printhead resolution
- A wide range of uncoated and inkjet-optimised media from 40 to 160 gsm
- New water-based pigment inks to achieve impressive quality on uncoated paper without pre-treatment
- Optimised ink formulation for light-weight media and heavier stocks

Explore efficiency

Minimise waste and maximise value

Through its unique combination of flexibility and quality, the ColorStream 8000 series simplifies and accelerates your transition from monochrome to full-colour digital print. Capitalise on the waste-

free print pause, printing in speed ramps and the Canon HeadSafe technology for highly reliable automated operation.

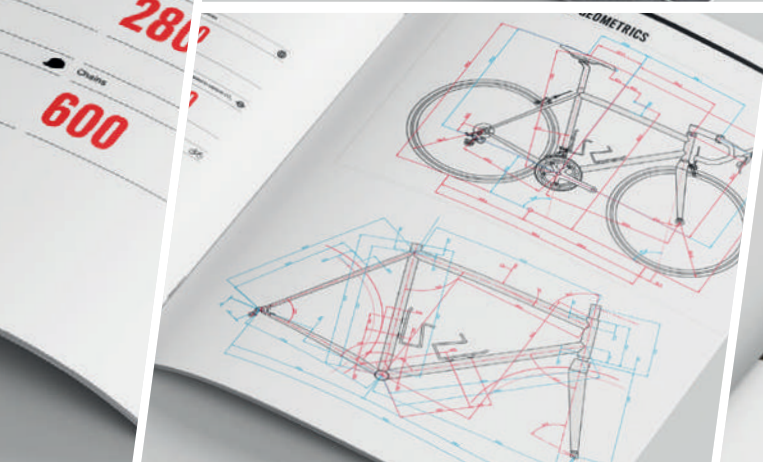
- Return on investment
- Effective ink management and small ink droplets
- Energy-efficient drying process
- Automated print head cleaning to minimise ink waste and optimised print quality

Explore sustainability

Pursue our common goal

Sustainable design is one of the key aspects of the ColorStream 8000 series. Not only is it manufactured using solar energy and long-life components, it is also produced for robust productivity, low labour investment, low energy consumption and minimised paper waste.

- Waste-free print pause and printing in speed ramps
- Direct imaging process that enables colour consistency and optimised results
- On-demand printing, to eliminate waste and obsolescence.



-  +386 1 586 79 33
-  www.mds-it.si
-  info@mds-it.si

MDS Inovativne Tehnologije d. d.
Leskoškova cesta 9e, 1000 Ljubljana

